

Maximum Cutting Precision in Minimum Space

SECTOR Series



PRODUCTIVITY AND PRECISION



The SECTOR Series always ensures clean cuts.

We have done a lot of hard work
to make your work easier!

Powerful 4 kW
sawing motor

High speed cutting cycles
in automatic mode



Continuous middle
workpiece support

Pneumatic
support grid

Easy moving,
ergonomic operation

Finished cut quality for
immediate edgeworking



HÖLZHER

SECTOR 1255 pro

LUMINA | 1380

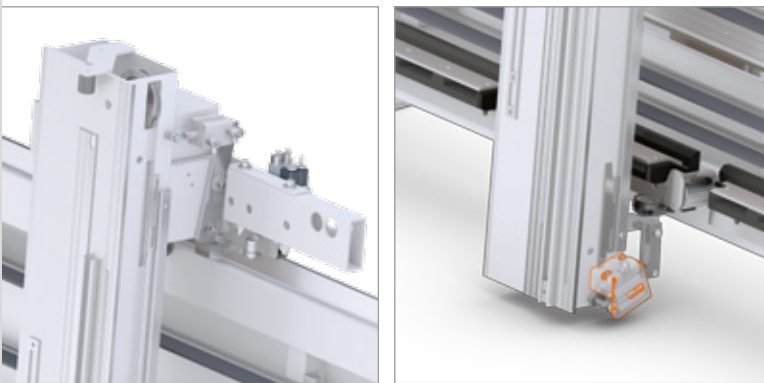
LTROING

SECTOR Series

Exact. Space saving. Efficient.

The SECTOR 1255 pro and SECTOR 1260 automatic combine proven technology from over 50 years of experience with a basic, solid design.

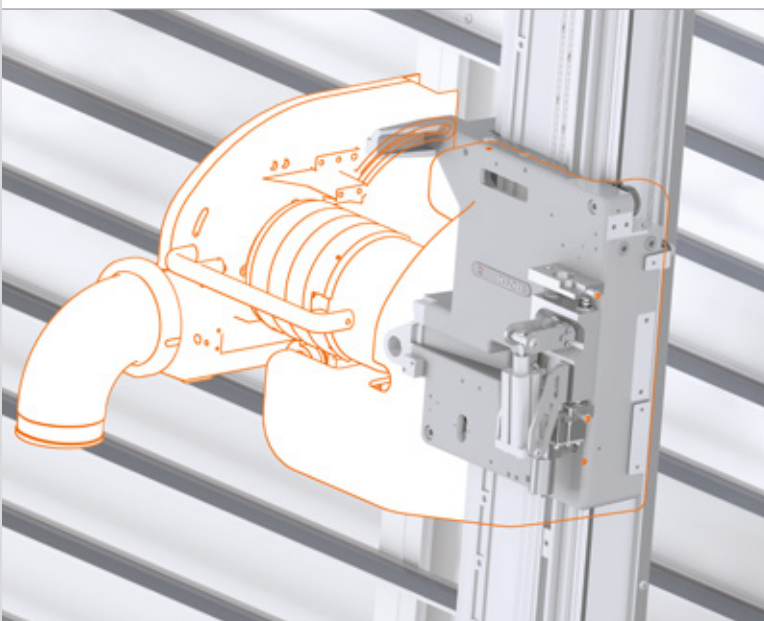
Perfectly ergonomic design, absolute precision and angular accuracy are the solid features of these vertical panel cutting saws.



Sawing beam

Pneumatic arrest at sawing beam top and bottom, can be operated from the control panel at the touch of a button.

Including automatic interface detection for vertical cut.



Sawing unit

Sawing unit including pneumatic arrest for horizontal cut and electrical fine adjustment of measurement directly on the control panel.

Saw blade change

The ProLock EasyFix quick change system allows saw blades to be changed in a jiffy.

Automatic electrical fine adjustment.





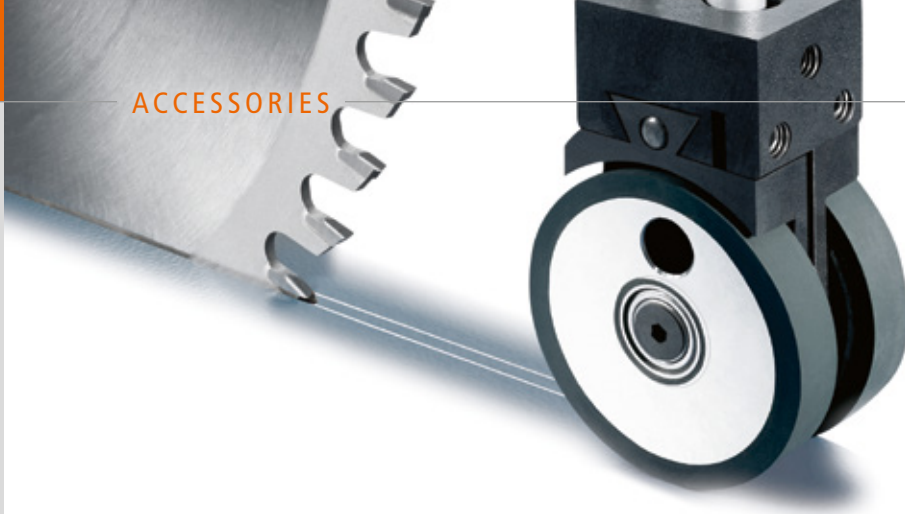
Automatic version

The SECTOR 1260 automatic offers an infinitely adjustable feed rate up to 25 m/min for automatic ...

- 1 plunge cuts
- 2 sawing through (horizontal or vertical),
- 3 retraction and
- 4 automatic return to the operator, ensuring high speed cutting cycles.
- 5 Optimized cycle: If the entire cutting length is not required, the automatic mode returns the sawing unit at an earlier time.



Only from HOLZ-HER
10 Year warranty on
all linear guides!



> SuperCut is the patented HOLZ-HER prescoring system. <

Clean work made easy

Prescoring for precision cuts

SuperCut is the patented HOLZ-HER prescoring system. It provides ready-to-glue cuts with just one basic adjustment (figure above).

- Two carbide blades score the surface of coated panels exactly to the width of the saw blade.
- The circular saw blade then cuts the panel without chipping the hard, brittle or fibrous top layer.
- The result is a smooth edge for further processing.
- SuperCut can be adjusted easily on a dimension scale.

Digital longitudinal stop with fine adjustment

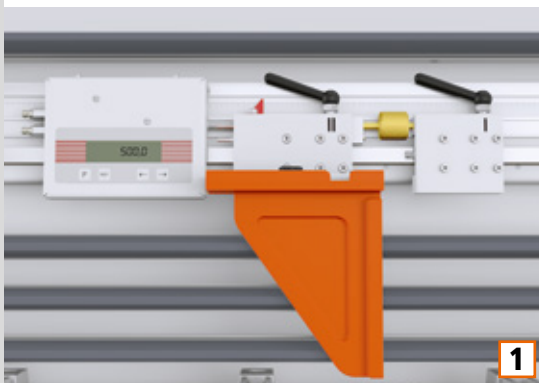
Digital dimension display for vertical cut, including fine adjustment on hardened linear guide (optional) (Fig. 1).

GeoMetric angular cutting feature

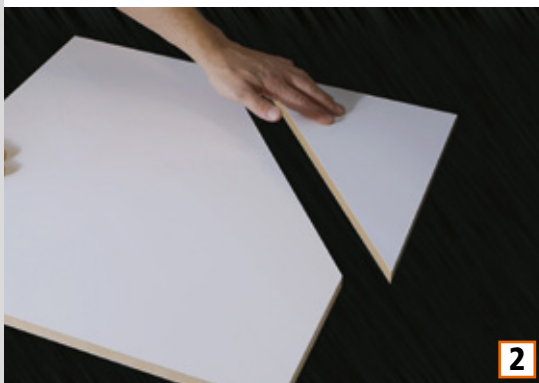
The mobile angular cutting device allows angular cuts up to 45° to be completed easily. For this purpose simply clamp the angular cutting device to the saw and set the angle in degrees. Two adjustable vacuum units hold the panel in place. Then cutting can be accomplished in the vertical or horizontal direction. A simple conversion feature allows the angular cutting unit to be attached on the left or right side of the cut (Fig. 2).

Strip Stop

The strip stop ensures a uniform cut to the width of the workpiece. Once set – every cut is the same (Fig. 3)



1



2



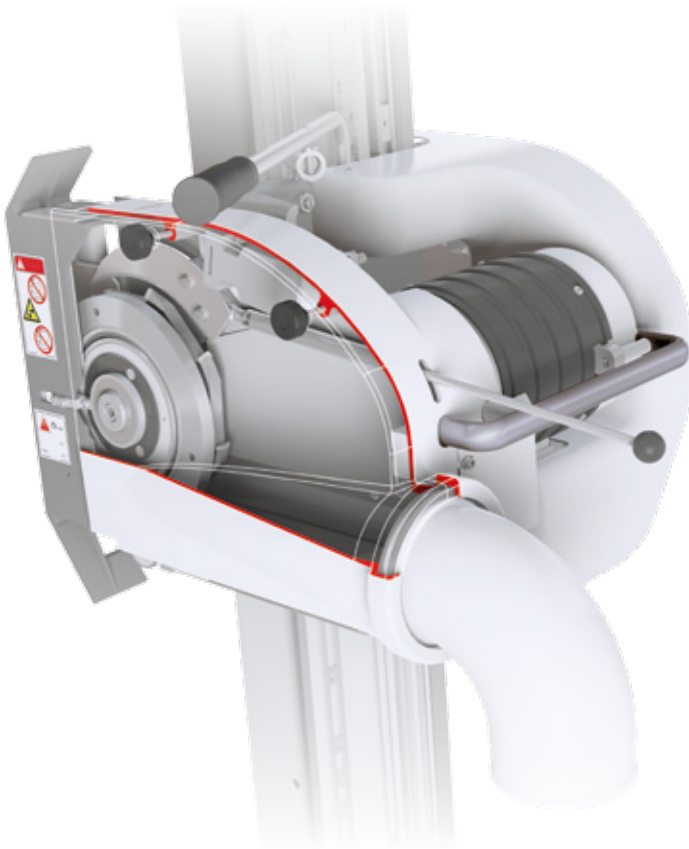
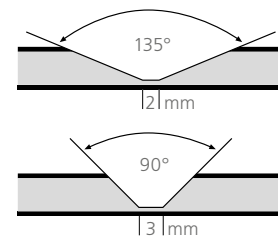
3

SECTOR 1255V for Alucobond®, Dibond® and Co.

Composite materials are a consistent part of modern architecture. The innovative products provide inspiration both in new buildings and in renovated old buildings. These materials are used when geometric solutions, extremely smooth surfaces, clean lines and precise corners are required, but of course also for wavy surfaces and complicated applications.

Grooving in two angle sizes 90° and 135°

The available shaping cutters for angled bending to 90° or 135° cut V-shaped or right-angled grooves on the rear side of the composite panels. In the process, the aluminum top sheet and part of the plastic core of the panel do not move. The thinness of the remaining material allows edge bending. The shape of the groove automatically determines the bending radius.



Various cutters and sensing rollers available as options.

Composite Material Package

- Special pressure shoe with cutout for cutter and sensing roller.
- Digital horizontal dimension display.
- Two additional longitudinal stops for vertical cut (additional longitudinal stops possible).
- Adapted compensation weight for sawing unit.
- Incl. HW circular saw blade, dia. 250 mm, for composite materials instead of standard saw blade.


Cut optimization – Step-by-step instructions for effective panel cutting

With the professional OptiBase V-Cut cutting optimization feature from HOLZ-HER you always get the best optimization results for perfect material utilization. Clearly arranged user surface and 10" touch screen for simple, quick operation and management of orders, material and parts lists. The label printer for HOLZ-HER machines included in the package ensures clear identification of all parts.



Perfect integration
thanks to network
connectivity as standard.

W4.0 digital
INSIDE



This is what your remnants management could look like in future!

Cutting optimization is supported by

- Optimization software for vertical panel cutting saws makes it easy to optimize your cutting plans.
- Waste material is reduced highly while labeling ensures professional management.
- The choice is yours – you can either import the cutting plans created in your office via network connection/USB or enter them directly on the touch screen.
- Perfect material utilization and maximum yield thanks to intelligent software.

Perfect data flow to HOLZ-HER programming system

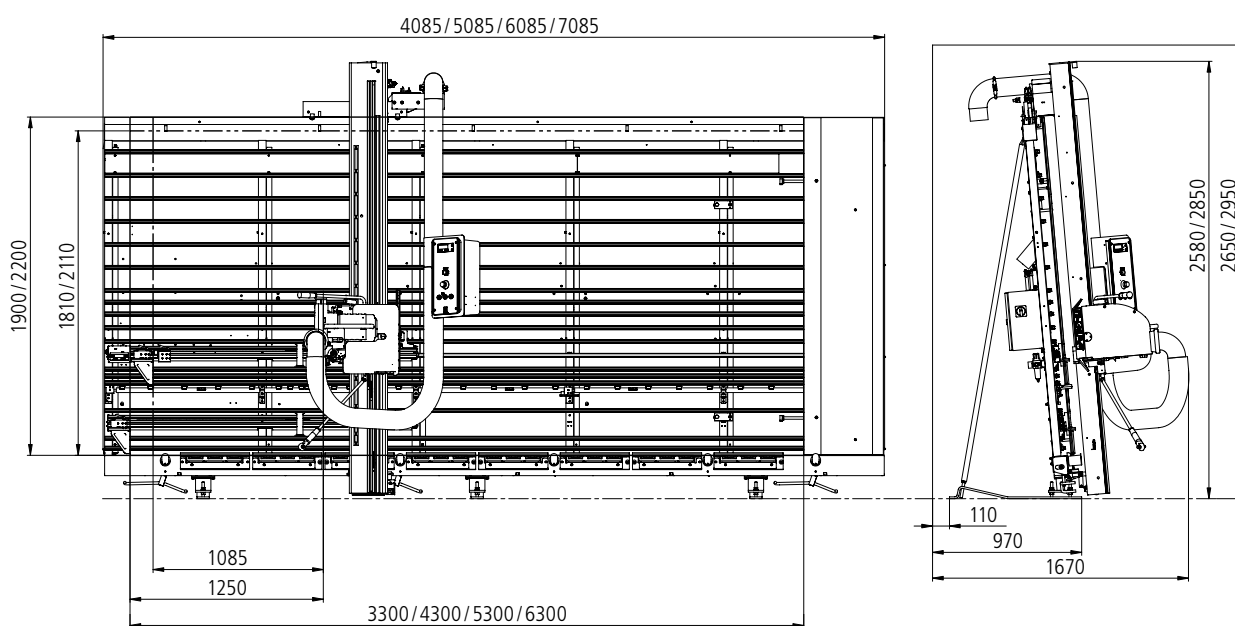
- Programming
- Sawing
- Edgebanding
- CNC machining



SECTOR Series Equipment Overview

	SECTOR 1255	SECTOR 1260
Automatic mode	X	Continuous feed up to 25 m/min
Sawing unit	4.0 kW 5200 rpm 50Hz 6300 rpm 60Hz	4.0 kW 5200 rpm 50Hz 6300 rpm 60Hz
	Up to max. 7.0 kW infinite speed control from 1100 to 5500 rpm	Up to max. 7.0 kW infinite speed control from 1100 to 5500 rpm
	Pneumatic brake for horizontal cut	Pneumatic brake for horizontal cut
	ProLock Quick Clamp Flange	ProLock Quick Clamp Flange
	Patented SuperCut Prescoring System	Patented SuperCut Prescoring System
Sawing beams	Top and bottom pneumatic arrest	Top and bottom pneumatic arrest
	Three adjustable sawing points in sawing beam	Three adjustable sawing points in sawing beam
Saw support	Pneumatic support grid	Pneumatic support grid
	Middle workpiece support over entire length	Middle workpiece support over entire length
	Bottom stainless steel workpiece support	Bottom stainless steel workpiece support
	Two narrow part attachments	Two narrow part attachments
Dimension display	Digital horizontal dimension display incl. electric motor fine adjustment on control panel	Digital horizontal dimension display incl. electric motor fine adjustment on control panel
	Longitudinal stop using measuring tape with integrated small part stop	Longitudinal stop using measuring tape with integrated small part stop
	Longitudinal stop with digital fine adjustment	Longitudinal stop with digital fine adjustment
	Second longitudinal stop with measuring tape or digital display	Second longitudinal stop with measuring tape or digital display
Optimization	10" touch screen OptiBase V-Cut cutting optimization with office license incl. EasyLabel printer	10" touch screen OptiBase V-Cut cutting optimization with office license incl. EasyLabel printer
Accessories	TRK Dust Evacuation (CE requirement for woodworking shops)	TRK Dust Evacuation (CE requirement for woodworking shops)
	Strip Stop for repetition cuts	Strip Stop for repetition cuts
	GeoMetric angle cutting attachment	GeoMetric angle cutting attachment
	Composite Material Package	X

 Standard
 Optional
 X Not possible



Technical data	SECTOR 1255	SECTOR 1260
Cutting depth (mm)	60	60
Cutting length (mm)	3300/4300/5300/6300	4300/5300/6300
Cutting height (mm)	1900/2200	1900/2200
Trimming height	1810/2110	1810/2110
Saw blade dia. (mm)	250	250
Air requirement (m ³ /h)	1400	1400
Air velocity (m/sec)	≥ 20	≥ 20
Attachment connection dia. assembly (mm)	120	120
Connection dia. frame end (mm) (TRK version)	100	100
Attachment dia. consolidation by customer (mm)	additional 160	additional 160
Static vacuum (Pa)	1500	1500
Weight (kg)	900 – 1200	900 – 1200

Product brochures and many
videos are available at
www.holzher.com

The technical data specified is intended for reference only. HOLZ-HER woodworking machines are subject to constant development and are therefore subject to modification without prior notice. The illustrations are therefore not binding. Some of the machines shown also contain special equipment not included as a standard feature. For clarity, some of the machines are shown without protective hood.

UK – HOLZ-HER 3510 45 – Printed in Germany/Imprimé en Allemagne
Printed on: 31.03.2017 – First edition: 31.03.2017

Your authorized HOLZ-HER dealer

**HOLZ-HER GmbH**
Plochinger Straße 65
72622 Nürtingen
Germany
T +49 (0) 70 22 702-0
kontakt@holzher.com
www.holzher.com

HOLZ-HER

A member of the WEINIG Group